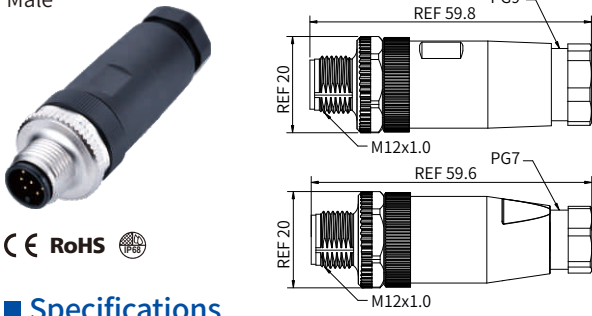


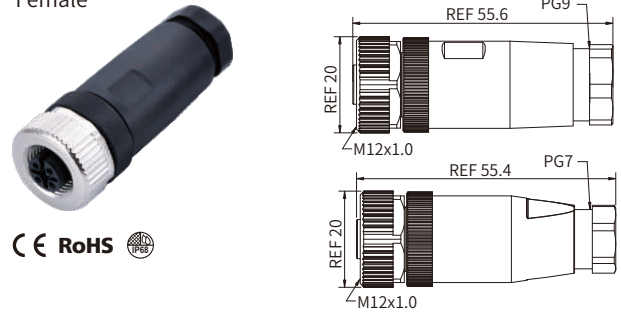
# M12 A-coding (Sensor and Actuator)

## M12 A-coding Straight Connector, Field Wireable Assembly, Screw joint

Male



Female



### Specifications

Contacts	3	4	5	8
Certification		CYJV(CYJV7).E321413		
Pin layout(Male)				
Pin layout(Female)				
Standard	IEC 61076-2-101			
Ambient temperature	-25°C~+90°C			
Connector insert	PA			
Connector contacts	Brass with gold plated			
Connector body	PA+GF			
Coupling nut/screw	Zinc alloy with nickel plated			
Seal/O-ring	NBR			
Insulation resistance	≥ 100MΩ			
Contact resistance	≤ 5mΩ			
Shielding	Unavailable			
Suitable cable Dia	PG7: 4-6mm / PG9: 6-8mm			
IP rating	IP67, IP68 in locked condition			
Mating endurance	>500 cycles			
Rated current	4 A			2A
Rated voltage	250V AC/DC		60V AC/DC	30V AC/DC
Wire gauge	0.34mm <sup>2</sup> (AWG22)			0.25mm <sup>2</sup> (AWG24)

### Part Number

Pins	Male		Female	
	PG9	PG7	PG9	PG7
3	MB12MWFHD03ST-3	MB12MWFHD03ST-4	MB12FWAFHD03ST-3	MB12FWAFHD03ST-4
4	MB12MWFHD04ST-3	MB12MWFHD04ST-4	MB12FWAFHD04ST-3	MB12FWAFHD04ST-4
5	MB12MWFHD05ST-3	MB12MWFHD05ST-4	MB12FWAFHD05ST-3	MB12FWAFHD05ST-4
8	MB12MWFHD08ST-3	MB12MWFHD08ST-4	MB12FWAFHD08ST-3	MB12FWAFHD08ST-4

### Assembly Instruction

